

# SNOOPER®

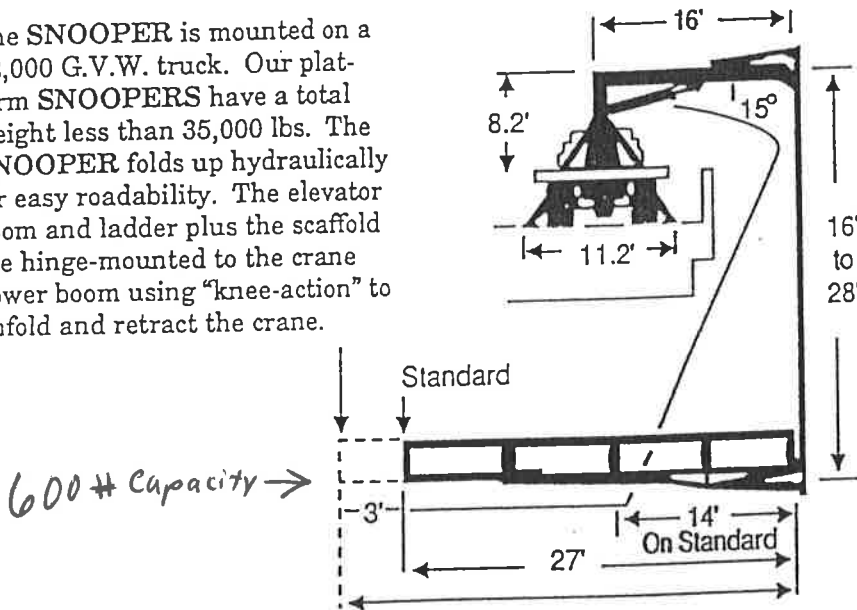
## Put Your Workmen In Position To Work Safely & Efficiently

A unique, fully hydraulic, mobile, "underspan" scaffold with ease of use built right in. The SNOOPER puts workers right where they must be to inspect, repair, paint, strip forms and work under bridges, trestles and viaducts fast. Once in position as many as two men can work continuously as the rolling outrigger permits the truck to move slowly along the bridge deck. Work time can often be cut in half.

The SNOOPER is mounted on a 42,000 G.V.W. truck. Our platform SNOOPERS have a total weight less than 35,000 lbs. The SNOOPER folds up hydraulically for easy roadability. The elevator boom and ladder plus the scaffold are hinge-mounted to the crane power boom using "knee-action" to unfold and retract the crane.

The SNOOPER lowers a 14ft. to 30ft. scaffold as much as 25 feet below deck level and allows men to work up to 43 feet under bridge deck. The hydraulically extendible elevator boom allows the scaffold to be raised and lowered with great precision, men are placed right at their work, up in the structure, or along the bottom of the beams.

The SNOOPER replaces dangerous, rickety scaffolds with a stable and positionable platform. Tough, quality construction featuring safety check valves on every hydraulic function, dead-man controls, a self-centered hydraulic cushioning cylinder on the elevator boom, auxiliary outrigger "stiff-arm" and guard rails.



30' to 43' Reach With  
Super-Booms Angled

We also have a  
7' x 8' PLATFORM.

↗ 1,000# capacity

